

UHS Orbis 17" 1500 rpm Base Assembly Service Parts List

Used on Truvox Machine (OB431500) 230v 50hz (Series G) Serial Numbers 04569 Onwards

Model Ref.:- 05-3781-0000

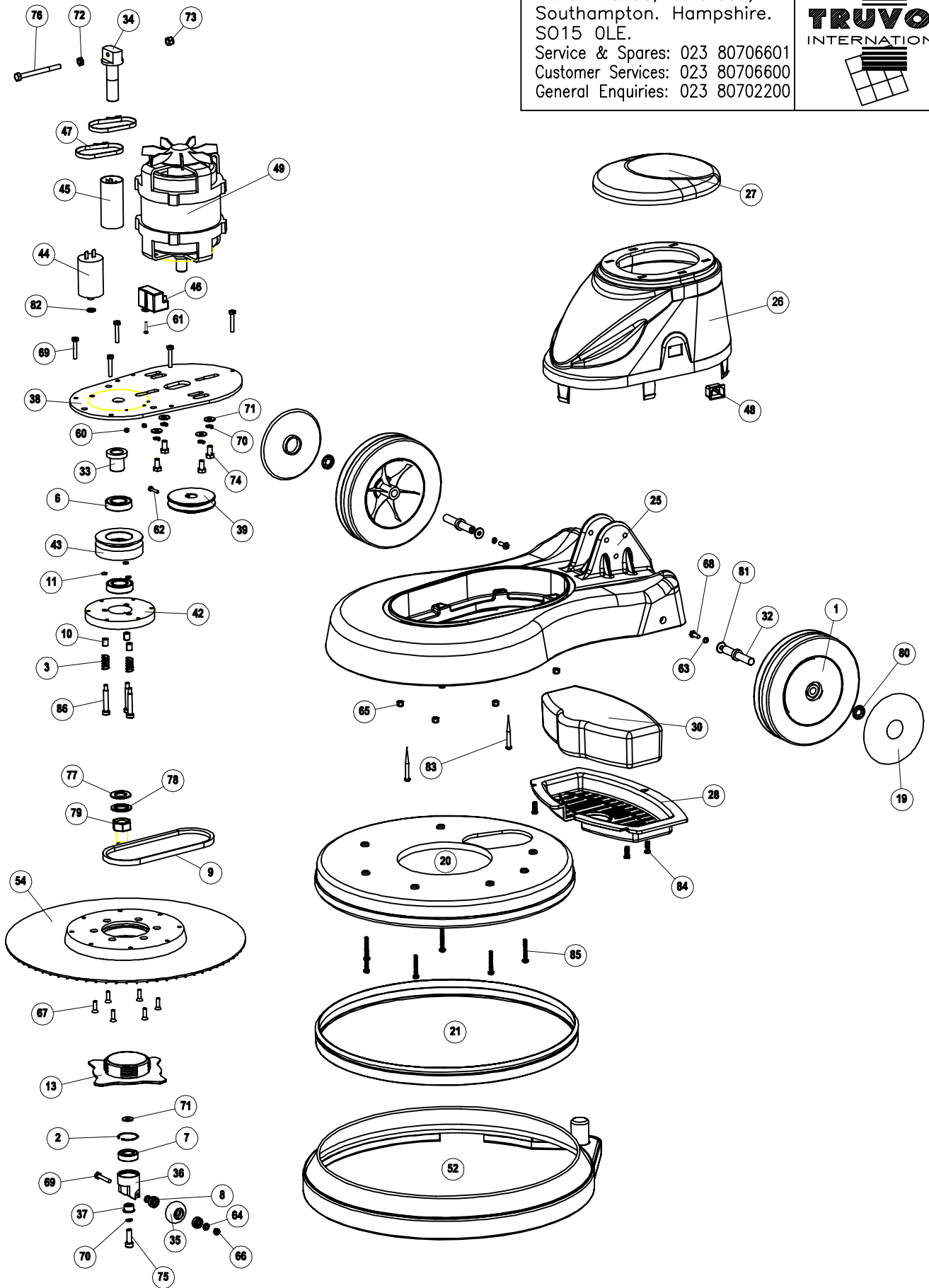
Service Parts List Issue 8 Dated 04-September-2013

Ref. Drawing 09-1053-0000 Issue B Dated 18th June 2009

| Drawing Ref. | Current Part Number | Description | Qty |
|--------------|---------------------|--|-----|
| 1 | 02-3121-0000 | WHEEL 8IN | 2 |
| 2 | 02-4011-0000 | INTERNAL CIRCLIP | 1 |
| 3 | 02-4541-0000 | SPRING (PART OF 10-0020-0000) | 2 |
| 4 | | | |
| 5 | | | |
| 6 | 02-3846-0000 | BEARING 6005-2RS (PART OF 10-0020-0000) | 2 |
| 7 | 02-3847-0000 | BEARING 6003-2RS | 1 |
| 8 | 02-3848-0000 | BEARING 626-2RS | 2 |
| 9 | 02-3856-0000 | UHS ORBIS DRIVE BELT | 1 |
| 10 | 02-4494-0000 | PLAIN BEARING 8 X 10MM (PART OF 10-0020-0000) | 3 |
| 11 | 02-4496-0000 | O-RING NITRILE 7.5 X 2MM | 3 |
| 12 | 02-4551-0000 | SNAP HOOK BLACK PLASTIC *NOT SHOWN* | 1 |
| 13 | 02-3853-0000 | PAD CENTRE LOCK (PART OF 05-4085-0000) | 1 |
| 14 | | | |
| 15 | | | |
| 16 | 03-5307-0000 | IDENT LABEL COVER - SELF ADH. VINYL SIZE 75x50 *NOT SHOWN* | 1 |
| 17 | 03-5866-0000 | DATA PLATE *NOT SHOWN* | 1 |
| 18 | 03-5869-0056 | YELLOW LABEL BLANK 50MM X 100MM *NOT SHOWN* | 1 |
| 19 | 03-6080-0035 | HUB CAP WATER BLUE | 2 |
| 20 | 03-6102-0067 | BRUSH GUARD 17" (JET BLACK) | 1 |
| 21 | 03-6111-0000 | VAC SKIRT PVC EXTRUSION | 1 |
| 22 | 03-6126-0000 | INSPECTION AND TEST RECORD TAG *NOT SHOWN* | 1 |
| 23 | 03-6149-0000 | ORBIS WHEEL CAP LABEL *NOT SHOWN* | 2 |
| 24 | | | |
| 25 | 03-6681-0035 | UHS ORBIS BASE MOULD (WATER BLUE) | 1 |
| 26 | 03-6682-0067 | UHS ORBIS MOTOR COVER (JET BLACK) | 1 |
| 27 | 03-6683-0035 | ORBIS UHS FAN COVER (WATER BLUE) | 1 |
| 28 | 03-6685-0057 | UHS ORBIS DUST COLLECTION BOX (ORANGE) | 1 |
| 29 | | | |
| 30 | 03-6703-0000 | UHS ORBIS MATERIAL VAC BAG | 1 |
| 31 | 03-6712-0000 | UHS ORBIS 1500 DECAL (FAN COVER) *NOT SHOWN* | 1 |
| 32 | 03-6714-0000 | UHS ORBIS STUB AXLE | 2 |
| 33 | 03-6718-0000 | UHS ORBIS DRIVE PULLEY SLEEVE (PART OF 10-0020-0000) | 1 |
| 34 | 03-6719-0000 | UHS ORBIS DRIVE SPINDLE | 1 |
| 35 | 03-6720-0000 | UHS ORBIS URETHANE WHEEL | 1 |
| 36 | 03-6721-0000 | UHS ORBIS CASTER CAGE | 1 |
| 37 | 03-6722-0000 | UHS ORBIS BEARING SLEEVE | 1 |
| 38 | 03-6723-0000 | UHS ORBIS MOTOR MOUNT PLATE | 1 |
| 39 | 03-6725-0000 | UHS ORBIS MOTOR PULLEY | 1 |
| 40 | 03-7639-0000 | ORBIS UHS PACKAGING CARTON *NOT SHOWN* | 1 |
| 41 | 03-7821-0000 | ORBIS UHS Multilingual Instructions *NOT SHOWN* | 1 |
| 42 | 03-7928-0000 | ORBIS UHS FLOATING ADAPTOR (PART OF 10-0020-0000) | 1 |
| 43 | 03-7929-0000 | ORBIS UHS DRIVE PULLEY (PART OF 10-0020-0000) | 1 |
| 44 | 04-3228-0000 | RUN CAPACITOR 32uF | 1 |
| 45 | 04-3230-0000 | START CAPACITOR 80 uF | 1 |
| 46 | 04-3150-0000 | MOTOR RELAY | 1 |
| 47 | 04-0279-0000 | CABLE TIE | 2 |
| 48 | 04-3235-0000 | SNAP IN C14 APPLIANCE INLET | 1 |
| 49 | 04-3909-0000 | MOTOR 230V 50Hz 1100W 4 POLE | 1 |
| 50 | 04-3911-0000 | UHS ORBIS BASE WIRE KIT *NOT SHOWN* | 1 |
| 51 | | | |
| 52 | 05-3766-0000 | 17" UHS VACUUM SKIRT ASSY | 1 |
| 54 | 05-4085-0000 | UHS PAD DRIVE ASSEMBLY 17" | 1 |

| | | | |
|----|--------------|--|---|
| 55 | 10-0020-0000 | ORBIS UHS FLOATING ADAPTOR ASSEMBLY 17" 1500 RPM | 1 |
| | | | |
| | | FASTENERS | |
| 60 | 00-0400-0723 | M4 NYLOC NUT ST/ST | 2 |
| 61 | 00-0520-0111 | M5 x 20 HEX HEAD BOLT | 1 |
| 62 | 00-0416-0111 | M4 x 16 SCREW | 1 |
| 63 | 00-0600-0511 | M6 SPRING WASHER | 2 |
| 64 | 00-0600-0553 | M6 PLAIN WASHER ST/ST | 2 |
| 65 | 00-0600-0721 | M6 NYLOC NUT | 6 |
| 66 | 00-0600-0751 | M6 HALF NYLOC NUT | 1 |
| 67 | 00-0616-0031 | M6 x 16 COUNTER SINK POZI HD SCREW | 6 |
| 68 | 00-0616-0111 | M6 x 16 SCREW | 2 |
| 69 | 00-0635-0111 | M6 x 35 SCREW | 6 |
| 70 | 00-0800-0513 | M8 SPRING WASHER | 5 |
| 71 | 00-0800-0553 | M8 PLAIN WASHER ST/ST | 5 |
| 72 | 00-0800-0711 | M8 LOCKNUT | 1 |
| 73 | 00-0800-0721 | M8 FULL NYLOC NUT | 1 |
| 74 | 00-0816-0111 | M8 x 16 BOLT | 4 |
| 75 | 00-0830-0091 | M8 x 30 CAP HEAD SCREW | 1 |
| 76 | 00-0890-0121 | M8 x 90 BOLT | 1 |
| 77 | 00-2000-0501 | M20 PLAIN WASHER | 1 |
| 78 | 00-2000-0521 | M20 SHAKEPROOF WASHER | 1 |
| 79 | 00-2000-0701 | M20 NUT | 1 |
| 80 | 02-0254-0000 | STARLOCK WASHER | 2 |
| 81 | 02-3127-0111 | WASHER 1/4" x 3/4" | 2 |
| 82 | 02-3250-0000 | M8 SHAKEPROOF WASHER | 1 |
| 83 | 02-3434-0000 | 12x1 POZI PAN HD SELF TAPPER | 2 |
| 84 | 02-3467-0000 | KB60 x 18 SELF TAPPER | 3 |
| 85 | 02-3515-0000 | KB60 x 40 SELF TAPPER | 6 |
| 86 | 02-3523-0000 | SHOULDER BOLT 40mm | 3 |
| | | | |

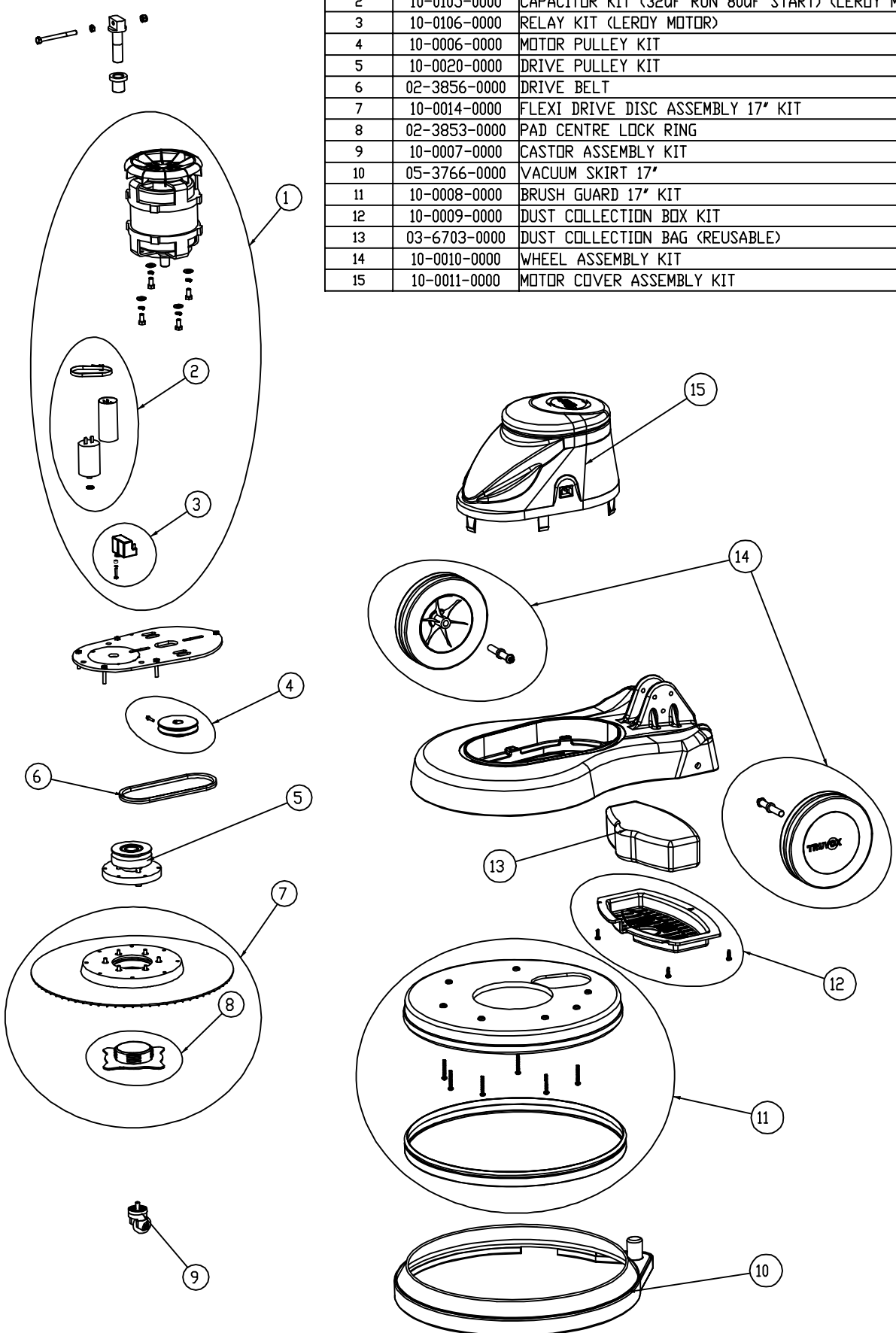
Truvox International Ltd.,
 Third Avenue, Millbrook,
 Southampton. Hampshire.
 SO15 0LE.
 Service & Spares: 023 80706601
 Customer Services: 023 80706600
 General Enquiries: 023 80702200



| | | | | | | | | | | |
|----------|--------|-----|-----------------|----|-------|---------|----------|---|---------------------|----------|
| | | | | | SCALE | NTS | TITLE | ORBIS UHS 17" 1500 GENERIC BASE DRAWING | | |
| 18.06.09 | | B | Motor Change | MC | MC | CHECKED | PRODUCT | DRAWING/PART No | SHEET 1 OF 1 SHEETS | |
| 13.12.05 | | A | NEW DRAWING | SJ | SJ | DRN | UHS 1500 | 09-1053-0000 | A4 | 1 SHEETS |
| DATE | CRO No | ISS | REVISION RECORD | DR | CHK | SJ | | | | |

PART No.
09-1114-0000

| KIT NO. | PART NO. | DESCRIPTION |
|---------|--------------|---|
| 1 | 10-0104-0000 | 230V 50Hz MOTOR KIT LERDY |
| 2 | 10-0105-0000 | CAPACITOR KIT (32uF RUN 80uF START) (LERDY MOTOR) |
| 3 | 10-0106-0000 | RELAY KIT (LERDY MOTOR) |
| 4 | 10-0006-0000 | MOTOR PULLEY KIT |
| 5 | 10-0020-0000 | DRIVE PULLEY KIT |
| 6 | 02-3856-0000 | DRIVE BELT |
| 7 | 10-0014-0000 | FLEXI DRIVE DISC ASSEMBLY 17" KIT |
| 8 | 02-3853-0000 | PAD CENTRE LOCK RING |
| 9 | 10-0007-0000 | CASTOR ASSEMBLY KIT |
| 10 | 05-3766-0000 | VACUUM SKIRT 17" |
| 11 | 10-0008-0000 | BRUSH GUARD 17" KIT |
| 12 | 10-0009-0000 | DUST COLLECTION BOX KIT |
| 13 | 03-6703-0000 | DUST COLLECTION BAG (REUSABLE) |
| 14 | 10-0010-0000 | WHEEL ASSEMBLY KIT |
| 15 | 10-0011-0000 | MOTOR COVER ASSEMBLY KIT |



| | | | | | | | | |
|-------|-----|-------------|-----|----------|----------|---------|--|--------------|
| ISSUE | C/N | CHANGES | INT | DATE | MATERIAL | GEN TOL | TRUVOX TM INTERNATIONAL LIMITED | |
| A | NA | NEW DRAWING | MC | 22.06.09 | NA | NA | SCALE | PART No. |
| | | | | | FINISH# | NTS | TITLE | 09-1114-0000 |
| | | | | | DRW | CKD | UHS ORBIS 1500 17" KIT LIST | |
| | | | | | MDC | NN | | |

Ultra High Speed Orbis Handle Assembly Service Parts List

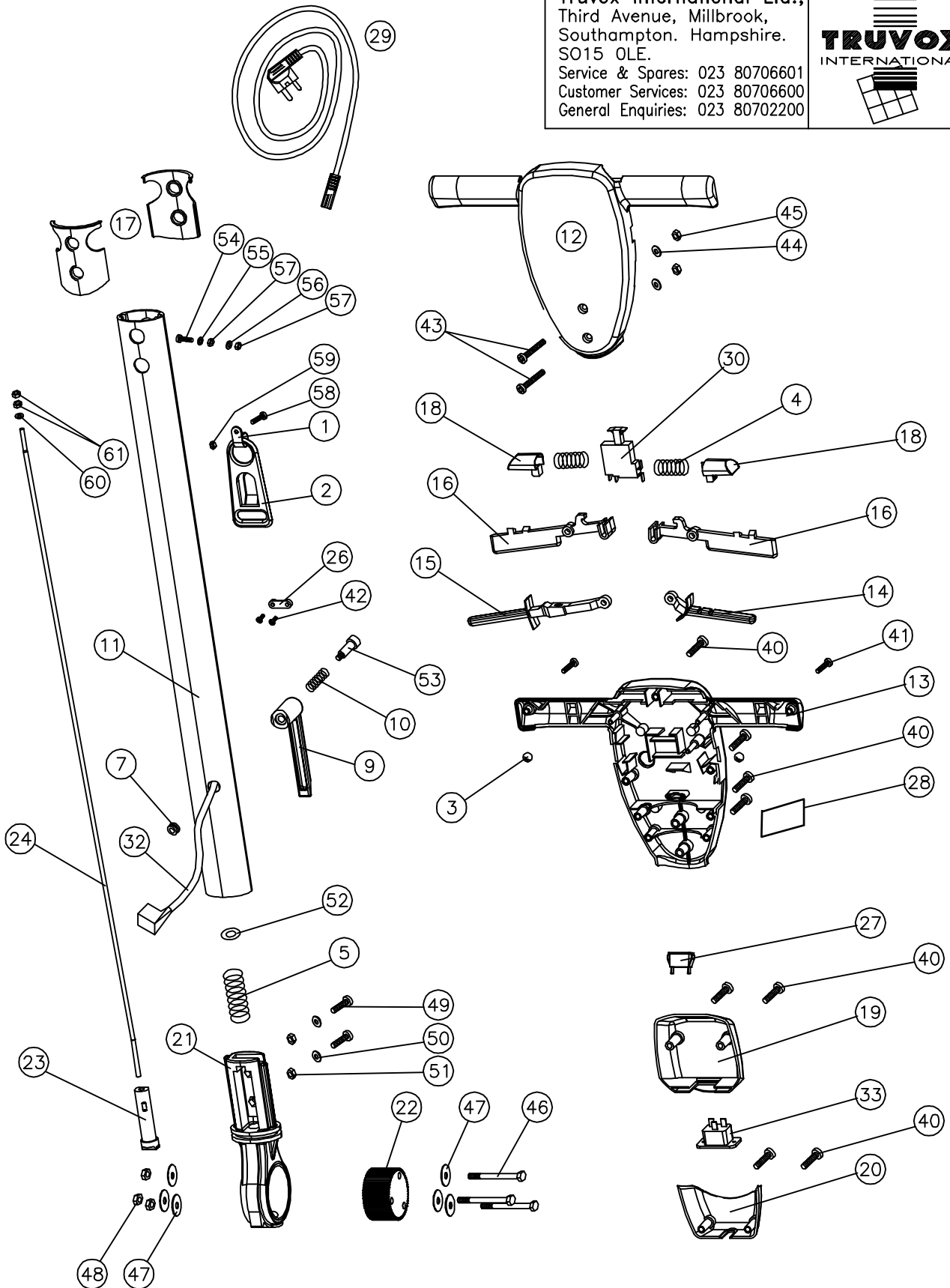
Model Ref.:- 05-4628-0000 (UK Plug) & 05-4629-0000 (Euro Plug)

Service Parts List Issue 5 Dated 04-September-2013

Ref. Drawing 09-1002-0000 Issue B Dated 03-September-2013

| Drawing Ref. | Current Part Number | Description | Qty |
|--------------|---------------------|---|-----|
| 1 | 02-3151-0000 | P Clip | 1 |
| 2 | 02-3152-0000 | Cable Strain Relief Bracket | 1 |
| 3 | 02-3186-0000 | Ball bearing | 2 |
| 4 | 02-3510-0000 | Handle Interlock Spring | 2 |
| 5 | 02-3511-0000 | Gear dog Spring | 1 |
| 6 | | | |
| 7 | 02-3520-0000 | Diaphragm Grommet | 1 |
| 8 | 02-3521-0000 | 13mm Spanner for ORBIS (Not Shown) | 2 |
| 9 | 03-5403-0000 | Cable winder | 1 |
| 10 | 03-5410-0000 | Cable Winder Spring | 1 |
| 11 | 03-6085-0000 | Tube - handle aluminium ext. | 1 |
| 12 | 03-6086-0067 | Handle main - front Jet Black RAL 9005 | 1 |
| 13 | 03-6087-0067 | Handle main - rear Jet Black RAL 9005 | 1 |
| 14 | 03-6088-0067 | Solution Lever Jet Black RAL 9005 | 1 |
| 15 | 03-6089-0067 | Gear lever Jet Black RAL 9005 | 1 |
| 16 | 03-6090-0067 | Trigger left and right Jet Black RAL 9005 | 2 |
| 17 | 03-6091-0000 | Handle Rubber boot | 2 |
| 18 | 03-6092-0067 | Interlock Jet Black RAL 9005 | 2 |
| 19 | 03-6093-0067 | Cord inlet box Jet Black RAL 9005 | 1 |
| 20 | 03-6094-0067 | Cord retainer Jet Black RAL 9005 | 1 |
| 21 | 03-7831-0000 | Knuckle Moulding | 1 |
| 22 | 03-6096-0000 | Gear | 1 |
| 23 | 03-6097-0000 | Dog | 1 |
| 24 | 03-6098-0000 | Adjusting Gear Rod | 1 |
| 25 | 03-6120-0000 | Instruction Manual (Not Shown) | 1 |
| 26 | 04-0237-0000 | Cable clamp | 1 |
| 27 | 04-3254-0000 | Neon Indicator Green | 1 |
| 28 | 03-6693-0067 | Handle Socket Blanking Plate | 1 |
| 29a | 04-3407-0000 | UHS 20M Supply Cord Set | 1 |
| 29b | 04-3408-0000 | UHS Europlug 20M Supply Cord Set | 1 |
| 30 | 04-3237-0000 | Switch | 1 |
| 31 | 04-3937-0000 | Handle Wiring Kit Without Power Take Off (Not Shown) | 1 |
| 32 | 04-3679-0000 | UHS Extended Drop lead | 1 |
| 33 | 04-3242-0000 | 16Amp Inlet Socket | 1 |
| 34 | 10-0123-0000 | Orbis Handle Power Take Off Kit (Not Shown) | 1 |
| 35 | 04-3239-0000 | Handle Wiring Kit With Power Take Off (Not Shown) | 1 |
| | | | |
| | | Fasteners | |
| 40 | 02-3516-0000 | Self Tapper (Main Handle / Cord Inlet Box) | 11 |
| 41 | 02-3517-0000 | Self Tapper (Handle Ends) | 2 |
| 42 | 02-3518-0000 | Self Tapper (Cable Clamps) | 2 |
| 43 | 00-0655-0011 | Handle Tube Fix M6 x 55 Pozi Pan Head Screw | 2 |
| 44 | 00-0600-0521 | Handle Tube Fix M6 Shakeproof | 2 |
| 45 | 00-0600-0701 | Handle Tube Fix M6 Full Nut | 2 |
| 46 | 00-0870-0121 | Handle Attachment Bolt M8 x 70 Hex Head Bolt | 3 |
| 47 | 02-0223-0000 | Handle Attachment Washer Zinc Washer 5/16" x 1 1/4" | 6 |
| 48 | 00-0800-0751 | Handle Attachment Nut M8 Type "T" 1/2 Nyloc Nut | 3 |
| 49 | 00-0816-0111 | Knuckle Bolt M8 x 16 Hex Head | 2 |
| 50 | 00-0800-0501 | Knuckle Washer M8 "A" Form Washer | 2 |
| 51 | 00-0800-0731 | Knuckle Nut M8 Binx Nut | 2 |
| 52 | 00-1020-0501 | Knuckle Spring Spacer Washer M10 Washer | 1 |
| 53 | 02-3523-0000 | New Cable Winder Bolt Socket Shoulder Bolt M6 x 8 x 40 | 1 |
| 54 | 00-0520-0111 | Earth Mount on Handle M5 x 20 Hex Head | 1 |
| 55 | 00-0500-0531 | Earth Mount on Handle Serrated Washer M5 External | 1 |
| 56 | 00-0500-0511 | Earth Mount on Handle Spring Washer M5 Single Coil | 1 |
| 57 | 00-0500-0701 | Earth Mount on Handle Fixing Nuts M5 Full Nut | 2 |
| 58 | 00-0520-0111 | Cable Restraint Bolt M5 x 20 Hex Head Screw | 1 |
| 59 | 00-0500-0701 | Cable Restraint Nut M5 Full Nut | 1 |
| 60 | 00-0500-0501 | Gear Rod Washer M5 Washer | 1 |
| 61 | 00-0500-0701 | Gear Rod Nuts M5 Full Nut | 2 |

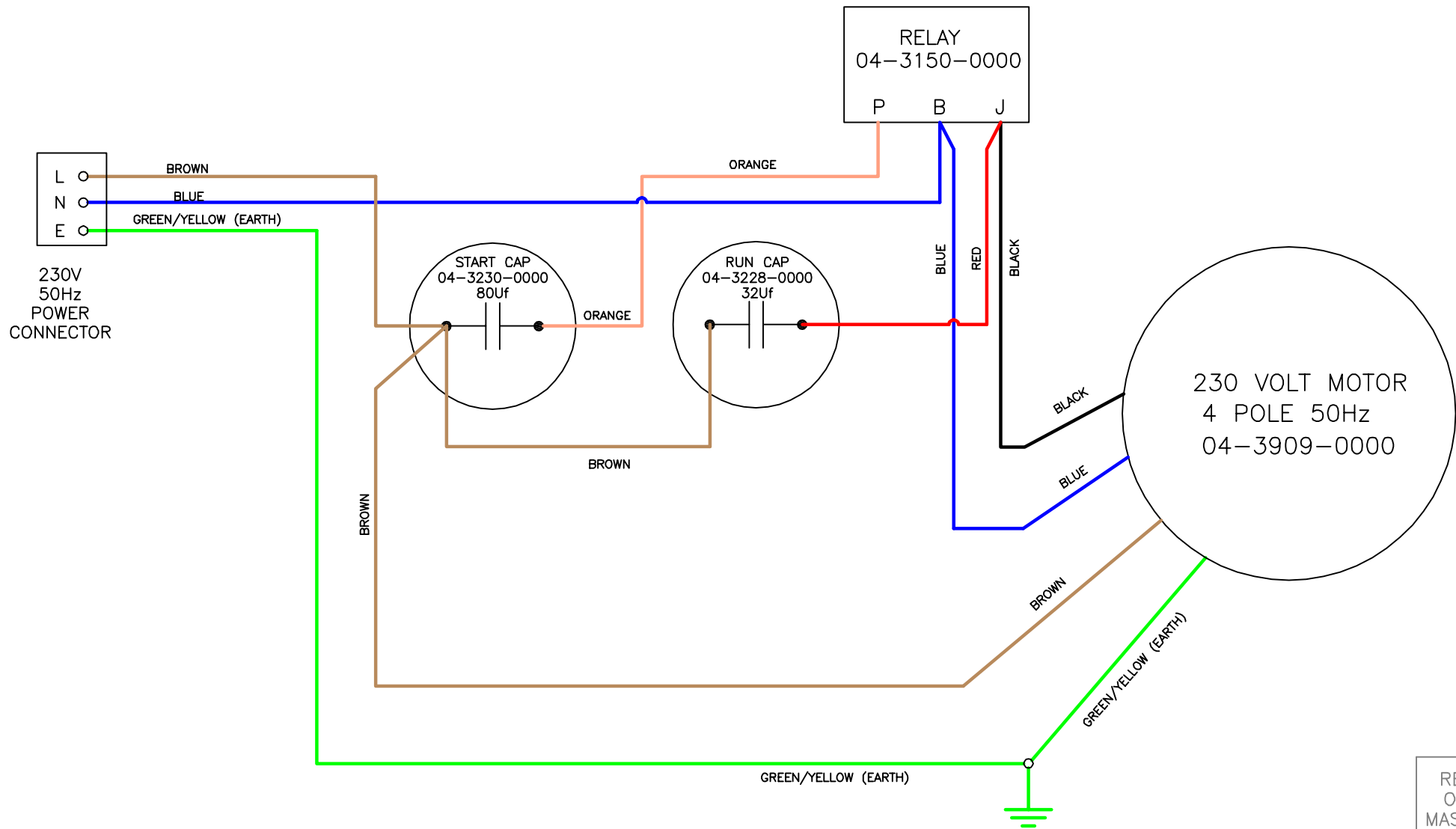
Truvox International Ltd.,
 Third Avenue, Millbrook,
 Southampton. Hampshire.
 SO15 0LE.
 Service & Spares: 023 80706601
 Customer Services: 023 80706600
 General Enquiries: 023 80702200



| | | | | | | | | | |
|----------|--------|-----|-----------------|----|-----|---------|--------------------|-----------------|---------------------|
| | | | | | | SCALE | TITLE | | |
| | | | | | | NTS | G.A | | |
| 03.09.13 | | B | POWER TAKE OFF | ND | | CHECKED | | | |
| 10.05.01 | - | A | NEW DRAWING | CL | | | PRODUCT | DRAWING/PART No | |
| DATE | CRO No | ISS | REVISION RECORD | DR | CHK | DRN | ORBIS HANDLE ASSY. | 09-1002-0000 | A4 |
| | | | | | | CML | | | SHEET 1 OF 1 SHEETS |
| | | | | | | 10.5.01 | | | |

Drawing/Part Number
09-1113-0000

| | | |
|-------|-------------|--------------------|
| Issue | Amendments | Sig./Date |
| A | NEW DRAWING | 02.06.09 M.D.C. |

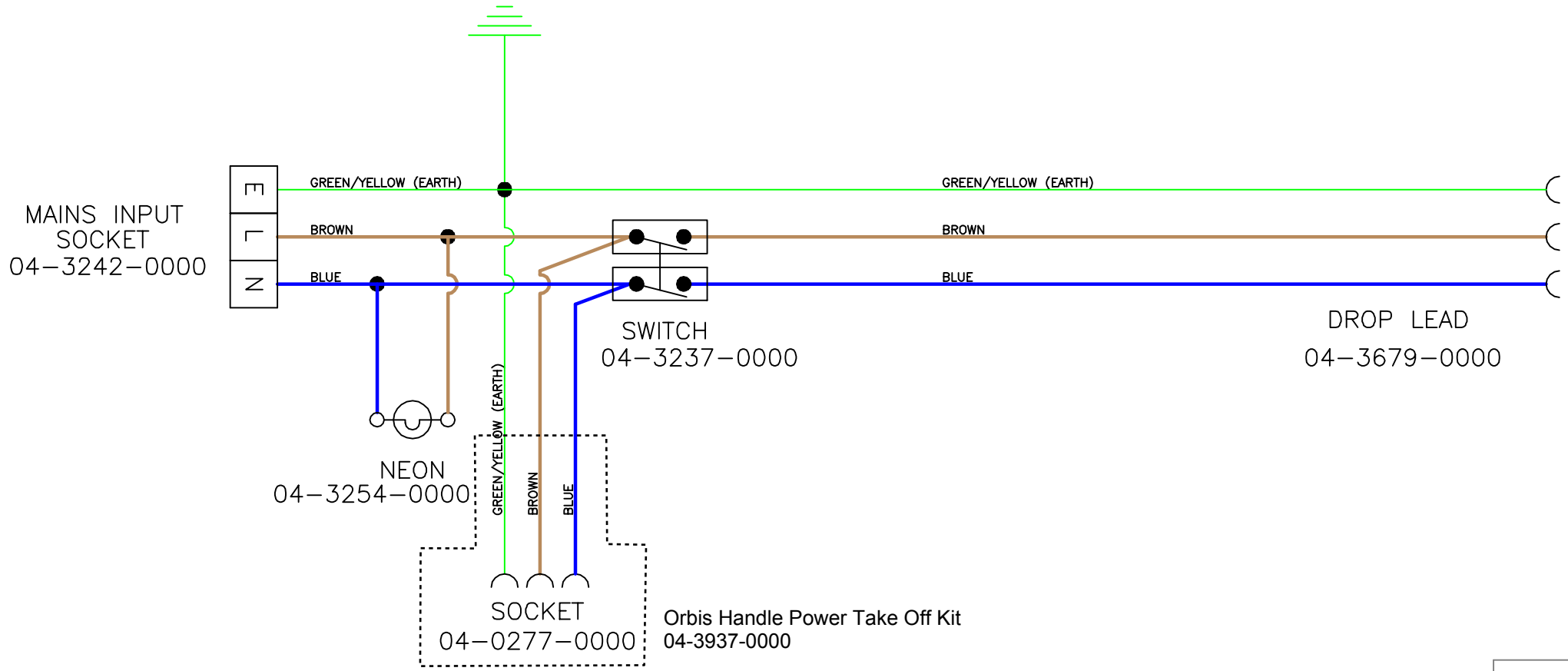


RED
ON
MASTER

| | | | | | | | |
|--|--|----------|--------|-------------------|------|---|----------|
| | <p>3RD ANGLE PROJECTION DIMENSIONS IN MILLIMETRES DO NOT SCALE DRAWING © COPYRIGHT</p> | Material | | General Tolerance | | <p style="text-align: center;">TRUVOX™ INTERNATIONAL LIMITED</p> | |
| | | Finish | | Scale | | | |
| | | Drawn | M.D.C. | Checked | M.E. | Date | 02.06.09 |

Drawing/Part Number
09-1116-0000

| Issue | Amendments | Sig./Date |
|-------|-----------------------------|--------------------|
| A | NEW DRAWING | 05.10.09 M.D.C. |
| B | OPTIONAL POWER TAKE OFF KIT | 03.09.13 N.P.D |



RED
ON
MASTER

| | | | | |
|---|-----------------|-------------------|---|-------------------------------------|
| <p>3RD ANGLE PROJECTION DIMENSIONS IN MILLIMETRES DO NOT SCALE DRAWING ©COPYRIGHT</p> | Material | General Tolerance | <p>TRUVOX™ INTERNATIONAL LIMITED</p> | |
| | Finish | Scale N.T.S. | | |
| | Drawn M.D.C. | Checked M.D.C. | Date 05.10.09 | Drawing/Part Number 09-1116-0000 |