

230v 50Hz 20" Orbis Base Assembly Service Parts List

Model Ref.:- 05-4183-0000 & 05-4184-0000 (200 & 400 Speed)

From Series: - D (note no previous series A,B or C for 20" range)

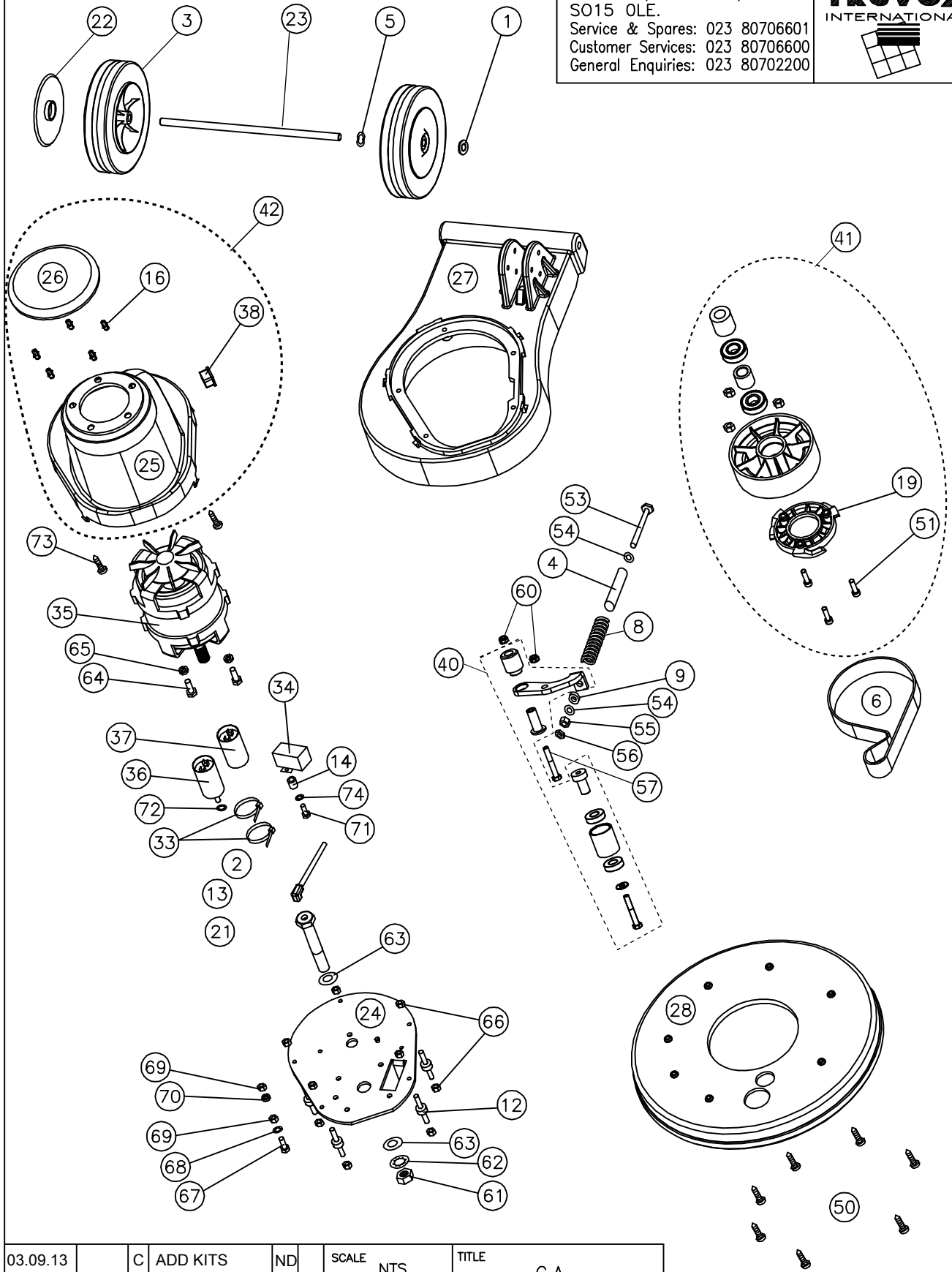
Serial Number :- From 27402

Service Parts List Issue 3 Dated 23-November-2013

Ref. Drawing 09-1003-0000 Issue C Dated 03-September-2013

Drawing Ref.	Current Part Number	Description	Qty
1	02-0254-0000	Starlock washer	2
2	02-0264-0000	Pipe	0.145M
3	02-3121-0000	Wheel	2
4	02-3130-1000	Adjusting Bolt Thread Protection Tube	0.06M
5	02-3185-0000	Crinkle Washer	2
6	02-3499-0000	Belt - main drive	1
8	02-3501-0000	Belt Tensioning Spring	1
9	03-6172-0000	Rubber Washer	1
12	02-3507-0000	Flexible coupling - vibration damper	5
13	02-3442-0000	Barbed Elbow Fitting	1
14	02-3519-0000	Round Plastic Spacer	1
16			
19	03-6077-0000	Engagement Hub	1
21	03-6079-0000	Spindle	1
22	03-6080-0035	Special Cap	2
23	03-6081-0000	Axle	1
24	03-6082-0000	Motor Mount Plate	1
25	03-6083-0027	Motor Cover	1
26	03-6084-0035	Fan Cover	1
27	03-6101-0035	Base mold	1
28	03-6684-0027	Brush Guard 20"	1
32			
33	04-0279-0000	Cable Ties	2
34	04-3150-0000	Relay	1
35a	04-3223-0000	Motor 1100W, 50Hz, 4 Pole (200 Speed Machine)	1
35b	04-3224-0000	Motor 1100W, 50Hz, 2 Pole (400 Speed Machine)	1
36	04-3228-0000	Capacitor Run 32 uf	1
37a	04-3230-0000	Capacitor Start 80 uf (200 Speed Machine)	1
37b	04-3231-0000	Capacitor Start 100 uf (400 Speed Machine)	1
38	04-3235-0000	Female Socket	1
39	04-3244-0000	Base Wiring Kit (Not Shown)	1
40	05-3466-0000	Tension Arm and Roller Assembly	1
41	05-3467-0000	Drive Pulley and Hub Assembly	1
42	05-3700-0000	ORBIS Motor Cover Assembly	1
		Fasteners	
50	02-3515-0000	Self Tapper	7
51	00-0830-0091	Output Drive Hub/Pulley Fix M8 x 30 Socket Head Screw	3
53	00-0899-0111	Tensioning Spring Bolt M8 x 130 Hex Head Screw	1
54	00-0800-0551	Tensioning Spring Washers Form "C" Large Diameter	2
55	00-0800-0701	Tensioning Spring Nut M8 Full Nut	1
56	00-0800-0711	Tensioning Spring Locknut M8 Lock Nut	1
58			
60	00-0800-0751	Bolt Securing Nut M8 Type "T" 1/2 Nyloc Nut	2
61	00-2000-0701	Output Drive Nut M20 Full Nut	1
62	00-2000-0521	Output Drive Securing Washer M20 Int Shakeproof Washer	1
63	00-2000-0501	Output Drive Washer M20 Plain Washer	2
64	00-0816-0111	Motor Mount Bolt M8 x 16 Hex Head Bolt	4
65	00-0800-0511	Motor Mount Spring Washer M8 Single Coil	4
66	00-0600-0721	Vibration Mount Nut M6 Nyloc Nut	10
67	00-0520-0111	Earth Mount on Plate M5 x 20 Hex Head Screw	1
68	00-0500-0531	Earth Mount on Plate Shakeproof M5 External Shakeproof	1
69	00-0500-0701	Earth Mount on Plate Nuts M5 Full Nut	2
70	00-0500-0511	Earth Mount on Plate Springwasher M5 Single Coil	1
71	00-0520-0111	Relay Fixing Bolt M5 x 20 Hex Head Screw	1
72	02-3250-0000	Capacitor Securing Washer M8 External Fan	1
73	02-3515-0000	Motor Cover Securing Screws	2
74	00-0500-0531	Relay Bolt Shakeproof Washer M5 External Shakeproof	1

Truvox International Ltd.,
 Third Avenue, Millbrook,
 Southampton. Hampshire.
 SO15 0LE.
 Service & Spares: 023 80706601
 Customer Services: 023 80706600
 General Enquiries: 023 80702200



03.09.13		C	ADD KITS	ND	SCALE	NTS	TITLE		
14.01.02	-	B	GEN UPDATE	CL	CHECKED		G.A		
10.05.01	-	A	NEW DRAWING	CL	DRN		PRODUCT	DRAWING/PART No	
DATE	CRO No	ISS	REVISION RECORD	DR	CHK	10.5.01	ORBIS BASE ASSY.	09-1003-0000	A4
									SHEET 1 OF 1 SHEETS

Orbis Handle Assembly Service Parts List

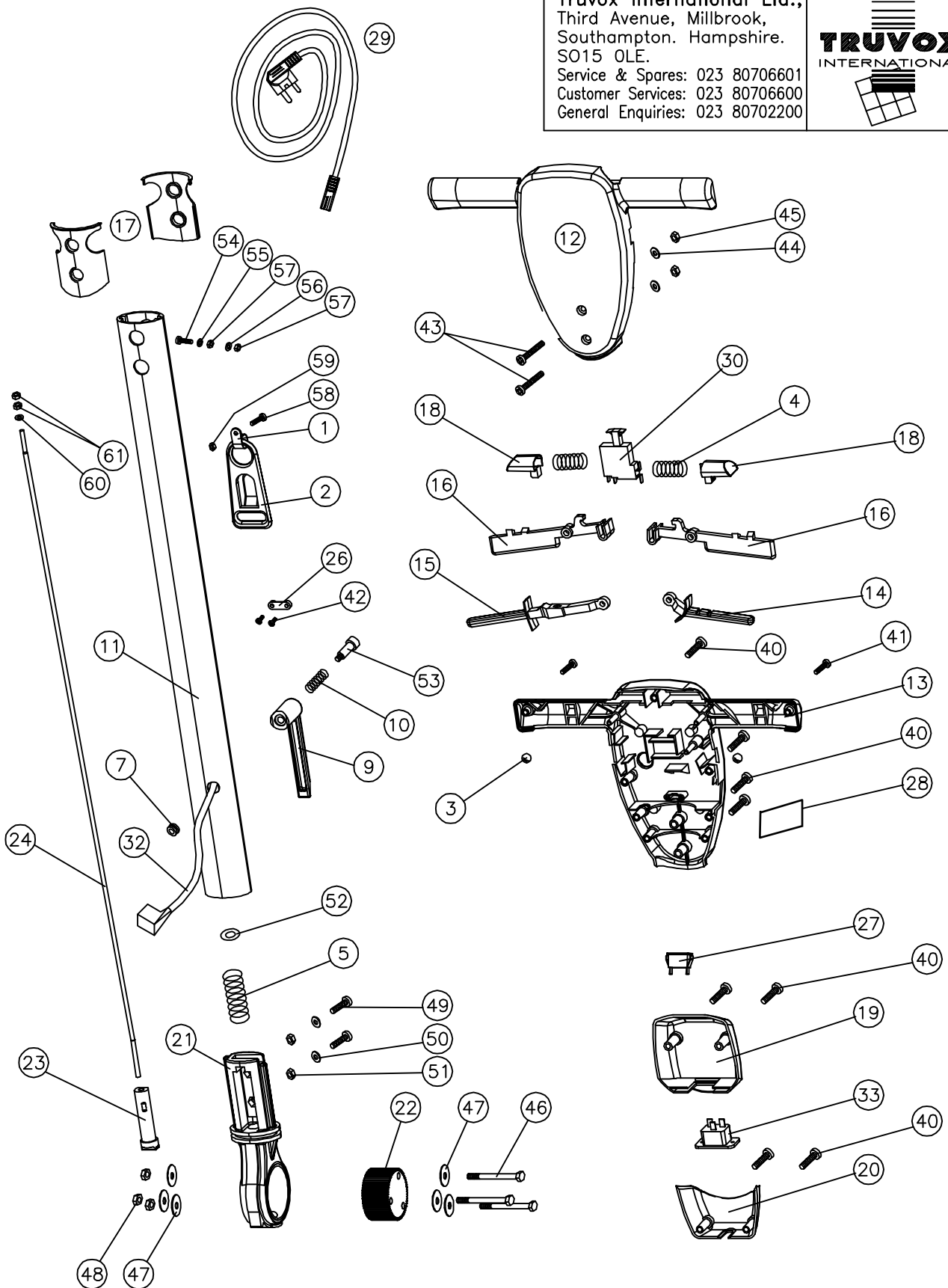
Model Ref.:- 05-3445-0000 (UK 230v) & 05-3449-0000 (Euro 230v)

Service Parts List Issue 4 Dated 03-September-2013

Ref. Drawing 09-1002-0000 Issue B Dated 03-September-2013

Drawing Ref.	Current Part Number	Description	Qty
1	02-3151-0000	P Clip	1
2	02-3152-0000	Cable Strain Relief Bracket	1
3	02-3186-0000	Ball bearing	2
4	02-3510-0000	Handle Interlock Spring	2
5	02-3511-0000	Gear dog Spring	1
6			
7	02-3520-0000	Diaphragm Grommet	1
8	02-3521-0000	13mm Spanner for ORBIS (Not Shown)	2
9	03-5403-0000	Cable winder	1
10	03-5410-0000	Cable Winder Spring	1
11	03-6085-0000	Tube - handle aluminium ext.	1
12	03-6086-0067	Handle main - front Jet Black RAL9005	1
13	03-6087-0067	Handle main - rear Jet Black RAL9005	1
14	03-6088-0067	Solution Lever Jet Black RAL9005	1
15	03-6089-0067	Gear lever Jet Black RAL9005	1
16	03-6090-0067	Trigger left and right Jet Black RAL9005	2
17	03-6091-0000	Handle Rubber boot	2
18	03-6092-0067	Interlock Jet Black RAL9005	2
19	03-6093-0067	Cord inlet box Jet Black RAL9005	1
20	03-6094-0067	Cord retainer Jet Black RAL9005	1
21	03-7831-0000	Aluminium Knuckle	1
22	03-6096-0000	Gear	1
23	03-6097-0000	Dog	1
24	03-6098-0000	Adjusting Gear Rod	1
25	03-6120-0000	Instruction Manual (Not Shown)	1
26	04-0237-0000	Cable clamp	1
27	04-0239-0000	Neon Indicator Black/Green	1
28	03-6693-0067	Handle Socket Blanking Plate	1
29a	04-3055-0053	Supply Cord Set	1
29b	04-3055-0153	Europlug Supply Cord Set	1
30	04-3237-0000	Switch	1
31	04-3937-0000	Handle Wiring Kit Without Power Take Off (Not Shown)	1
32	04-3240-0000	Drop lead	1
33	04-3242-0000	16Amp Inlet Socket	1
34	10-0123-0000	Orbis Handle Power Take Off (Not Shown)	1
35	04-3239-0000	Handle Wiring Kit With Power Take Off (Not Shown)	1
		Fasteners	
40	02-3516-0000	Self Tapper (Main Handle / Cord Inlet Box)	11
41	02-3517-0000	Self Tapper (Handle Ends)	2
42	02-3518-0000	Self Tapper (Cable Clamps)	2
43	00-0655-0011	Handle Tube Fix M6 x 55 Pozi Pan Head Screw	2
44	00-0600-0521	Handle Tube Fix M6 Shakeproof	2
45	00-0600-0701	Handle Tube Fix M6 Full Nut	2
46	00-0870-0121	Handle Attachment Bolt M8 x 70 Hex Head Bolt	3
47	02-0223-0000	Handle Attachment Washer Zinc Washer 5/16" x 1 1/4"	6
48	00-0800-0751	Handle Attachment Nut M8 Type "T" 1/2 Nyloc Nut	3
49	00-0816-0111	Knuckle Bolt M8 x 16 Hex Head	2
50	00-0800-0501	Knuckle Washer M8 "A" Form Washer	2
51	00-0800-0731	Knuckle Nut M8 Binx Nut	2
52	00-1020-0501	Knuckle Spring Spacer Washer M10 Washer	1
53	02-3523-0000	New Cable Winder Bolt Socket Shoulder Bolt M6 x 8 x 40	1
54	00-0520-0111	Earth Mount on Handle M5 x 20 Hex Head	1
55	00-0500-0531	Earth Mount on Handle Serrated Washer M5 External	1
56	00-0500-0511	Earth Mount on Handle Spring Washer M5 Single Coil	1
57	00-0500-0701	Earth Mount on Handle Fixing Nuts M5 Full Nut	2
58	00-0520-0111	Cable Restraint Bolt M5 x 20 Hex Head Screw	1
59	00-0500-0701	Cable Restraint Nut M5 Full Nut	1
60	00-0500-0501	Gear Rod Washer M5 Washer	1
61	00-0500-0701	Gear Rod Nuts M5 Full Nut	2

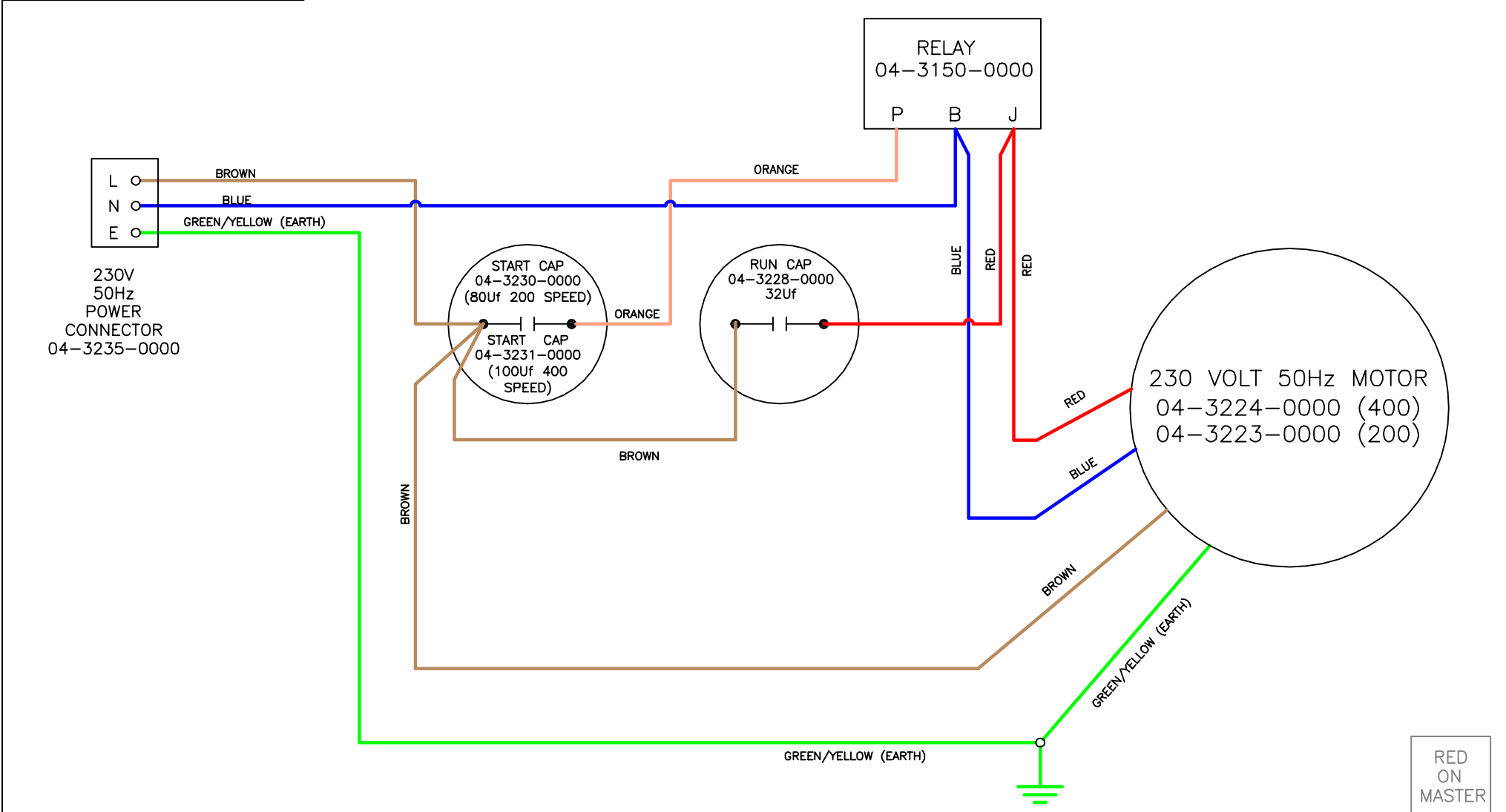
Truvox International Ltd.,
 Third Avenue, Millbrook,
 Southampton. Hampshire.
 SO15 0LE.
 Service & Spares: 023 80706601
 Customer Services: 023 80706600
 General Enquiries: 023 80702200



						SCALE	TITLE		
						NTS	G.A		
03.09.13		B	POWER TAKE OFF	ND		CHECKED			
10.05.01	-	A	NEW DRAWING	CL			PRODUCT	DRAWING/PART No	
DATE	CRO No	ISS	REVISION RECORD	DR	CHK	DRN	ORBIS HANDLE ASSY.	09-1002-0000	A4
						CML			SHEET 1 OF 1 SHEETS
						10.5.01			

Drawing/Part Number
09-1126-0000

Issue	Amendments	Sig./Date
A	NEW DRAWING	14.12.10 M.D.C.

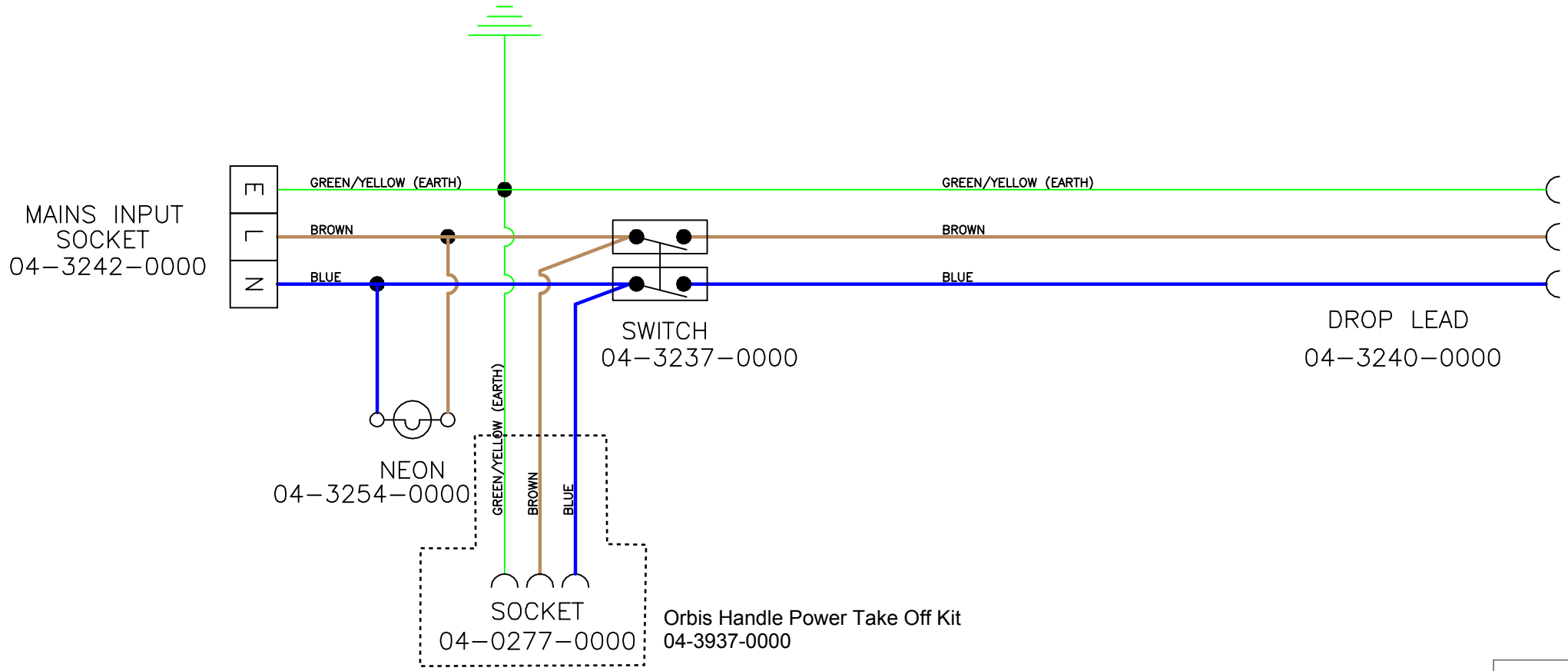


RED
ON
MASTER

	<p>3RD ANGLE PROJECTION DIMENSIONS IN MILLIMETRES DO NOT SCALE DRAWING © COPYRIGHT</p>	Material		General Tolerance	TRUVOXTM INTERNATIONAL LIMITED	
		Finish		Scale		
		Drawn	Checked	Date	Title	Drawing/Part Number
M.D.C.	M.E.	14.12.10	ORBIS 200 & 400 BASE WIRING DIAGRAM (230V 50Hz)	09-1126-0000		

Drawing/Part Number
09-1127-0000

Issue	Amendments	Sig./Date
A	NEW DRAWING	15.12.10 M.D.C.
B	OPTIONAL POWER TAKE OFF KIT	03.09.13 N.P.D



RED
ON
MASTER

	<p>3RD ANGLE PROJECTION DIMENSIONS IN MILLIMETRES DO NOT SCALE DRAWING ©COPYRIGHT</p>	Material		General Tolerance		<p style="text-align: center;">TRUVOX™ INTERNATIONAL LIMITED</p>	
		Finish		Scale			
		Drawn	M.D.C.	Checked	M.D.C.	Date	15.12.10