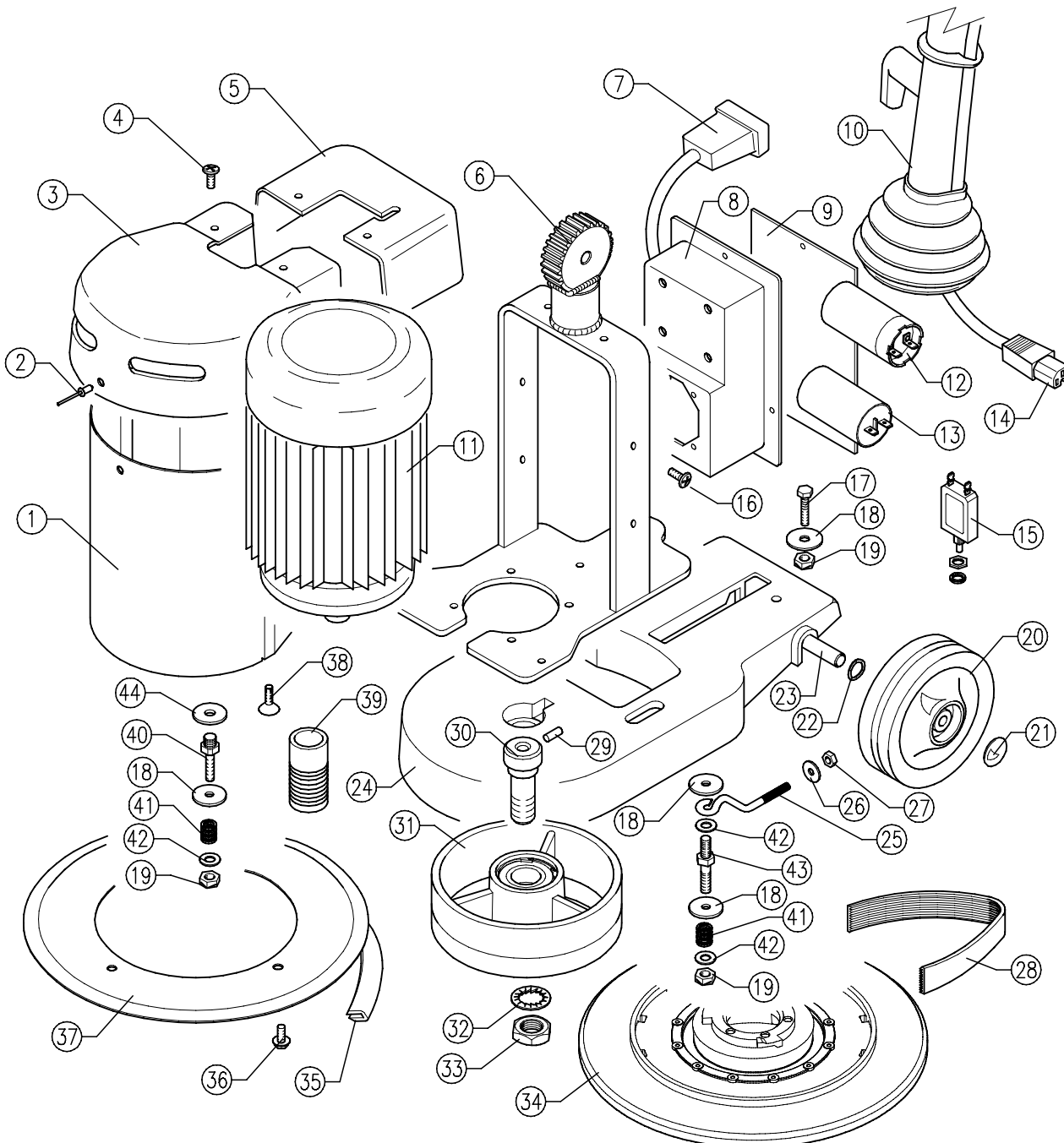




**DOWDING & PLUMMER Ltd.**

CALTHORPE HOUSE, STOCKFIELD ROAD,  
BIRMINGHAM B27 6AP – ENGLAND  
TEL: 0121-706-5771 FAX: 0121-708-1052

www.victorfloorcare.com



ITEM	PART No.	QTY.	DESCRIPTION
1	D1296	1	MOTOR COWL
2	SBI7087	3	BLACK RIVET
3	D1297	1	MOTOR COVER
4	-	2	M6x16 PAN HEAD SCREW
5	D1298	1	MOTOR COVER REAR
6	D1301	1	MOTOR MOUNTING FRAME
7	D1214	1	SOCKET LEAD
8	D1245	1	CAPACITOR BOX
9	D1313	1	CAPACITOR BOX COVER
10	AYH1209	1	SPRITE 300 ADJUSTABLE HANDLE
11	AYM4002	1	SPRITE 300 750w MOTOR ASSEMBLY
12	SBI5227	1	80MFD START CAPACITOR
13	SBI7211	1	20 TO 30MFD RUN CAPACITOR
14	D1218	1	DOWNLEAD AND PLUG ASSEMBLY
15	SBI5499	1	CIRCUIT BREAKER 7AMP
16	-	4	M6x12 BLACK PANHEAD SCREW
17	-	1	M8x30 COUNTERSUNK HEAD SOCKET SCREW
18	A1378	4	WASHER 30x9x2.5
19	-	4	M8 BINX NUT
20	D1124	2	125mm WHEEL – BLACK
21	SBI3005/A	2	STARLOCK CAP
22	SBI3666	2	WAVED WASHER
23	A1815	1	SPRITE 300 WHEEL AXLE
24	B1019/G	1	SPRITE 300 BASE CASTING
25	A1680	1	SPRITE 300 CRANKED EYEBOLT
26	-	1	M6 WASHER
27	-	1	M6 NUT
28	SBI3356	1	POLY VEE DRIVE BELT 220 J 8
29	SBI5550	1	SELOCK PIN
30	A1674	1	CENTRE FEED PULLEY BOLT
31	AYP1015	1	157mm DRIVE PULLEY
32	-	1	M20 SHAKEPROOF WASHER
33	-	1	M20 HALF NUT
34	VB30111	1	300 CENTREFLEX DRIVE BOARD
35	A1308/C/BL	1	SPRITE 300 BUFFER RING BLACK
36	-	3	M6x12 TAPTITE SCREW
37	A1683/GH	1	SPRITE 300 BRUSH COVER
38	-	4	M6x16 COUNTERSUNK HEAD SOCKET SCREW
39	D0989	1	26mm S300 MOTOR PULLEY
40	D1310	2	MOTOR STUD
41	A2132	3	MOTOR STUD SPRING
42	-	2	M8 PLAIN WASHER
43	A1223	1	M8 MOTOR STUD
44	-	2	M10x30 WASHER

A.G.D. 10/04/2007 PL463-1

WHEN ORDERING PLEASE QUOTE PART No. AND PART DESCRIPTION

2007 **Victor** RANGE

VR-S300

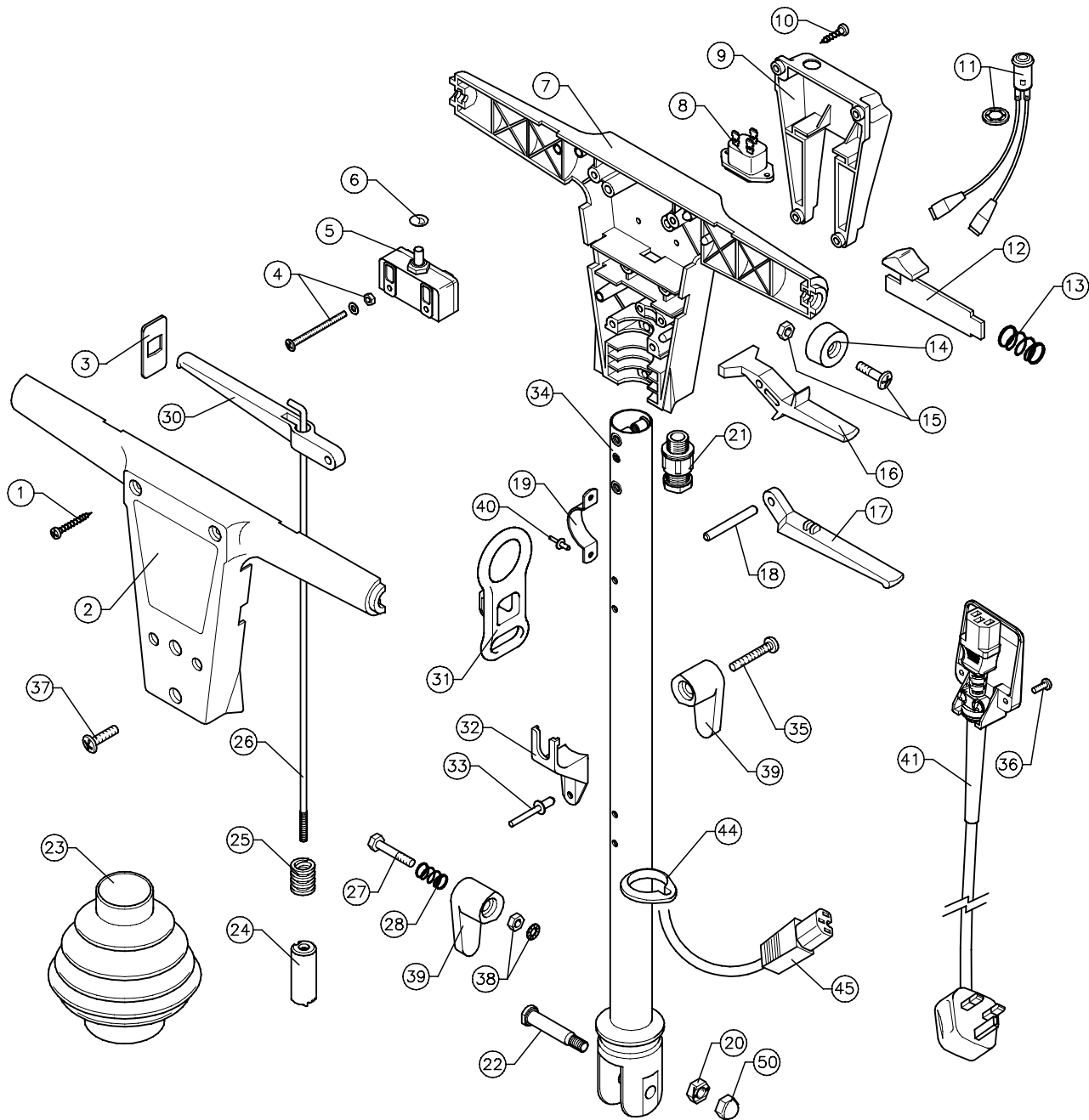
SPRITE 300 STANDARD SPEED c/w DRIVE BOARD



**DOWDING & PLUMMER Ltd.**

CALTHORPE HOUSE, STOCKFIELD ROAD,  
BIRMINGHAM B27 6AP – ENGLAND  
TEL: 0121-706-5771 FAX: 0121-708-1052

www.victorfloorcare.com



ITEM	PART No.	QTY.	DESCRIPTION
1	IN10X1.1-2PP	4	SCREW S.T. No.10 x 1 1/2"
2	SBI3759/BL	1	SWITCH BOX MOULDING – FRONT
3	SBI3763/BL	2	LEVER ENTRY SHIELD
4	-	2	M4x55mm SCREW, NUT ,PLAIN & S.P. WASHER
5	SBI3738	2	SINGLE POLE ON/OFF SWITCH
6	SBI3744	2	SPRING CAP 1/4"
7	SBI3758/BL/B	1	SWITCH BOX MOULDING – REAR
8	SBI3650	1	INLET SOCKET
9	A1001/BL	1	SOCKET BOX MOULDING
10	IN10X3-4PT	4	SCREW S.T. No.10 x 3/4"
11	SBI5836	1	200/250v NEON LIGHT & RETAINING RING
12	A1621/BL	2	TRIGGER RELEASE SLIDE
13	A1620	2	SPRING $\phi$ 17x25
14	SBI3764/BL	2	HANDLE END CAP
15	-	2	SCREW M6x20 P.H. & NUT
16	SBI3760/BL	2	SWITCH LEVER
17	C1412/BL	1	FLUID LEVER
18	A1141	3	LEVER PIVOT PIN
19	A1649/BL	2	CABLE RESTRAINT BRACKET
20	M8NSB	1	NUT – M8 BINX
21	SBI3373	1	COMPRESSION GLAND
22	A1896	1	PIVOT BOLT
23	D0429	1	BELLEWS
24	A1741	1	GEAR SELECTOR
25	A1743	1	SELECTOR SPRING
26	D1268	1	PULL ROD – 610 LONG
27	-	1	M3x30 HEX HEAD BOLT
28	SBI6423	1	SPRING
29	SBI3373	1	CABLE GLAND – M16
30	SBI3761/BL	1	HANDLE ADJUSTMENT LEVER
31	D0550	1	CABLE RESTRAINT
32	B1062	2	QUICK RELEASE BRACKET
33	SBI5424	4	'POP' RIVET 3/16 x 1/2" LONG
34	D1267	1	HANDLE DOWN TUBE ASSEMBLY
35	-	1	M6x30 PANHEAD SCREW
36	-	2	SCREW M4 x 10 CHEESE HEAD SLOTTED
37	-	4	SCREW M6 x 25 POZIPAN
38	-	1	M6 HALF NUT AND SHAKEPROOF WASHER
39	D0390	2	CABLE HOOK
40	SBI7106	2	'POP' RIVET $\phi$ 3.2 x 8 (1/8" x 5/16")
41	D1000	1	HIGH VIZIBILITY CABLE PACK
42	-	1	M8 DOME NUT
43	-	1	WASHER 1/4"x3/4"
44	A1854	1	CABLE RETENTION RING
45	D1218	1	DOWNLEAD AND PLUG ASSEMBLY

A.G.D. 10/04/2007 PL464-1

WHEN ORDERING PLEASE QUOTE PART No. AND PART DESCRIPTION

2007 **Victor** RANGE

AYH1209

SPRITE 300 HANDLE ASSEMBLY