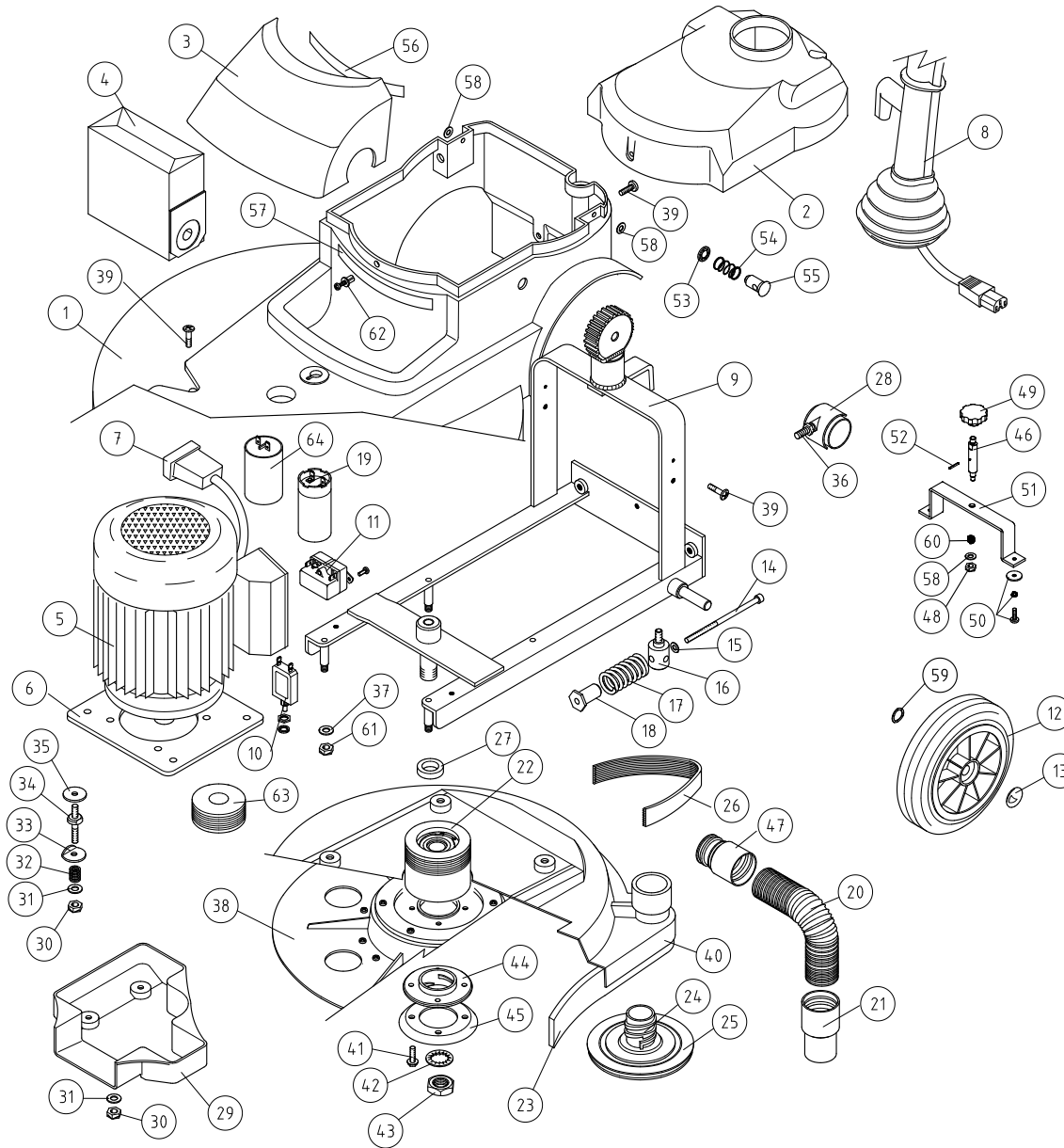




DOWDING & PLUMMER Ltd.

CALTHORPE HOUSE, STOCKFIELD ROAD,
BIRMINGHAM B27 6AP - ENGLAND
TEL: 0121-706-5771 FAX: 0121-708-1052
www.victorfloorcare.com



ITEM	PART No.	QTY.	DESCRIPTION
1	C1881/L/C	1	17" LYNX BODY MOULDING
2	C1726	1	TOP MOTOR COVER
3	C4293	1	FRONT DUST BAG COVER
4	C1456	1	DUST BAG
5	AYM4021	1	15kW MOTOR ASSEMBLY
6	C4088	1	MOTOR MOUNTING PLATE
7	D1214	1	SOCKET LEAD
8	AYH1297	1	RATCHET HANDLE ASSEMBLY
9	C1787	1	WELDED FRAME
10	SBI5498	1	CIRCUIT BREAKER 10AMP.
11	SBI3659	1	START RELAY TYPE 234
12	SBI6101/NT	2	WHEEL Ø200 REINFORCED-BLACK
13	SBI3005/A	2	SPRING CAP 1/2"
14	M6X125SC	1	SOCKET CAP SCREW M6 x 125mm
15	11-4X3-4W	1	1/4" I/D x 3/4" O/D WASHER
16	A2064	1	MOTOR PILLAR STUD
17	A1850	1	SPRING Ø30 x 50
18	A1865	1	SPRING RETAINER
19	SBI5227	1	80MFD START CAPACITOR
20	SBI6136/F	1	STRETCH HOSE
21	SBI5668	1	HOSE END 32mm - BLACK
22	AYP1036	1	Ø80mm x 75mm DRIVE PULLEY ASSY.
23	C1613/B	1	DIFFUSER FLOOR SEAL
24	B1163	1	PAD RETAINER
25	D1317	1	POLYETHYLENE WASHER
26	SBI6539	1	DRIVE BELT 330 J8
27	A2062	1	PULLEY SPACER
28	SBI6529	3	Ø40 TWIN PLASTIC WHEEL CASTOR
29	C1398	1	DRIVE BELT GUARD
30	M8NSB	6	M8 NUT - BINX
31	M8W	7	M8 PLAIN WASHER
32	A2132	3	SPRING Ø14 x 15
33	A2069	3	FOLDED WASHER
34	A2068	3	MOTOR STUD
35	A1378	4	PLAIN WASHER Ø30xØ9x2.5
36	SBI6537	3	M8 x 15 CASTOR STEM
37	M8W	4	M8 PLAIN WASHER
38	AYD1018	1	17" LYNX DRIVE PLATE ASSY.
39	M6X10SP	7	M6 x 10 SCREW - POZIPAN
40	C1886/L	1	17" LYNX SKIRT ASSEMBLY
41	-	4	M6 x 25 SCREW - TAPTITE
42	M20WSP	1	M20 SPRING WASHER
43	M20NH	1	M20 HALF NUT
44	B1164	1	RETAINER NUT
45	A1882	1	REINFORCING RING
46	D0223	1	SKIRT LIFTER BAR
47	B1367/BL	1	SWIVEL END INNER - BLACK
48	M6NSB	1	M6 NUT - BINX
49	SBI6398	1	M8 HAND KNOB
50	-	2	M5 x 10 SCREW, PLAIN AND SPRING WASHER
51	D0220	1	SKIRT LIFTER BRACKET
52	SBI3450	1	3/32" x 3/4" SELCOK PIN
53	A1944	1	FIXING WASHER - Ø10mm
54	A1620	1	SPRING Ø17 x 25
55	A1945	1	ANCHOR PIN (15mm) PLASTIC
56	SBI6328	1	HOOK STRIP
57	SBI6327	1	LOOP STRIP
58	M6W	3	M6 x 14 O/D PLAIN WASHER
59	SBI3666	2	WAVEY WASHER - PLW4
60	SBI6882	1	Ø8.5 STAINLESS SPRING
61	M8NSB	4	M8 NUT - BINX
62	SBI6039	1	SCRIVET
63	C4151	1	MOTOR PULLEY Ø55 J12
64	SBI5230	1	20 MFD RUN CAPACITOR

agd 01.12.09 PL450-3

WHEN ORDERING PLEASE QUOTE PART No. AND PART DESCRIPTION

2009 **Victor** RANGE

LYNX 17 BURNISHER - 1000rpm - 230v

VR-L17