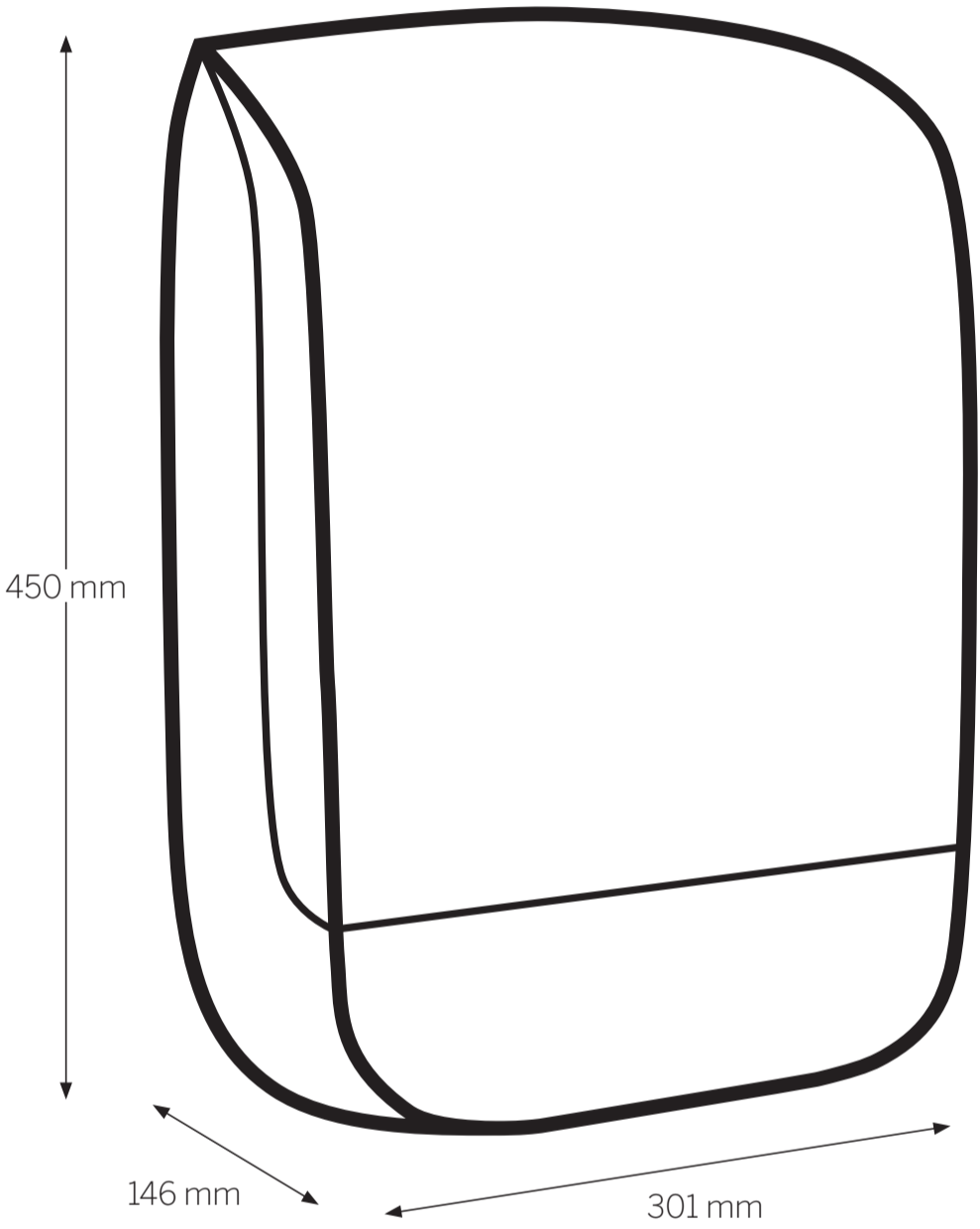




# 90168, 92063

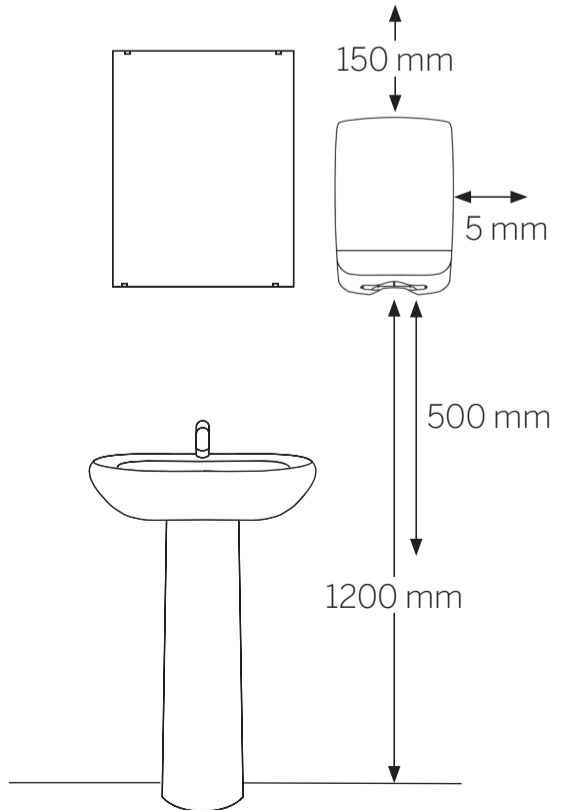
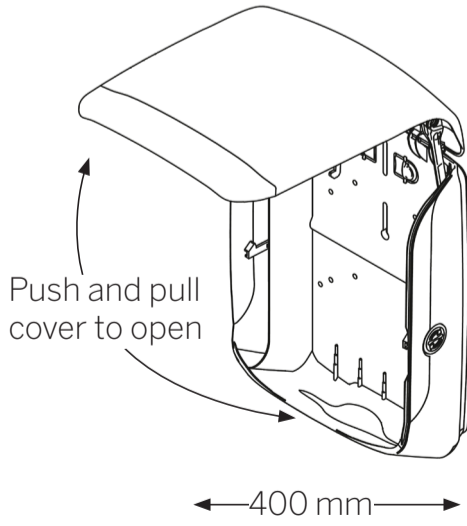
KATRIN Hand Towel M Dispenser

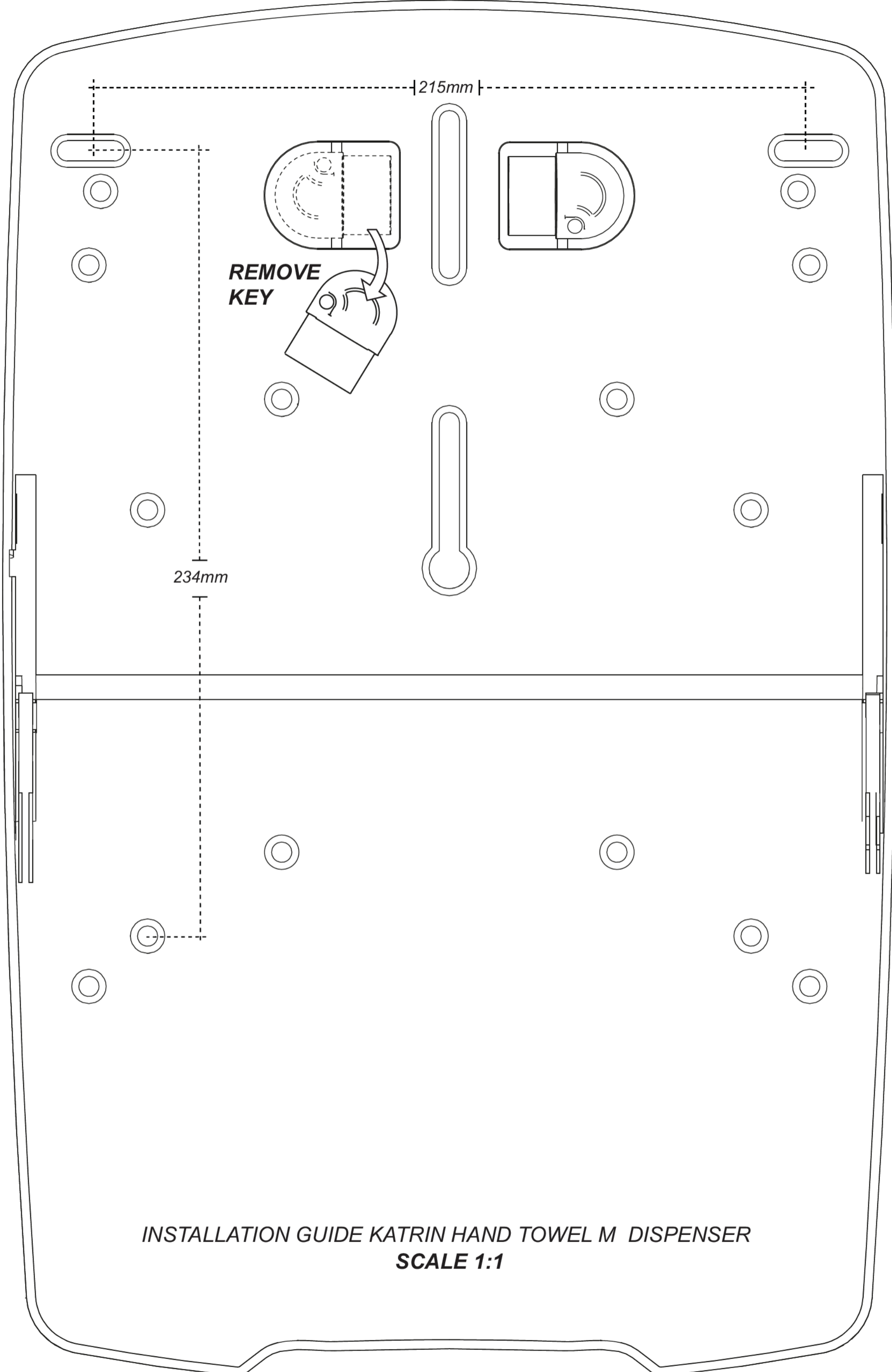


Open with key  
(Position – key needed and turn right)



Easy opening  
(Position – turn left with key once, then no key needed to open dispenser)





215mm

**REMOVE  
KEY**

234mm

**INSTALLATION GUIDE KATRIN HAND TOWEL M DISPENSER  
SCALE 1:1**