

Say hello to an improved Velo!

Upgraded with our renowned Hypercone 4 stage filtration system to enhance performance.



Our latest Velo release

The newly added Hypercone filter and an open disposable dust bag will ensure peak suction levels are maintained as the dust bag fills.

Favourite Velo features



Compact & lightweight at just 4.5kg



Breathable harness with inbuilt cooling channels



Strong suction power at 22.7L per second



The most sustainable product in the Pacvac range



Up to 50 minutes battery run time range



Pacvac's Hypercone filtration system

pacvac.com

Copyright © 2022 Pacvac.
All rights reserved.



Designed and engineered in Australia



Empowering cleaning professionals



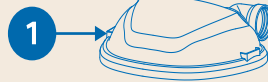
Globally recognised reliability

 pacvac

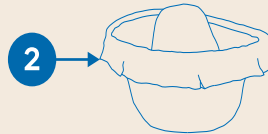
What about existing machines?

To convert the original Velo to the improved model for better performance, we are launching a new Filtration Service Kit - **SEK016**, comprising of:

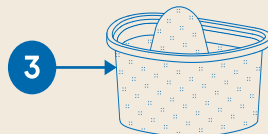
Clear offset lid
LID005



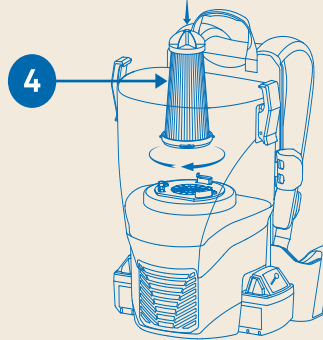
Disposable paper dust bag 2.5L (10pk)
DUB034



Reusable SMS cone dust bag 2.5L
DUB032



Pre-motor cone filter
FIL027



Whats New:



Contact your local distributor to order:



Velo New Filtration
(VB001VE02A02)



Filtration Service Kit
(SEK016)



Where to buy
(Scan with Camera)

pacvac.com

Copyright © 2022 Pacvac.
All rights reserved.



Designed and
engineered in Australia



Empowering cleaning
professionals



Globally recognised
reliability

