

Katrin Plus System Toilet 800

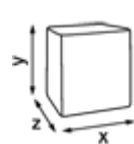


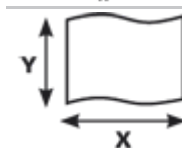


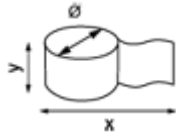



66940

- Soft effective quality toilet paper
- 2-Ply, white
- For use with Katrin System Toilet Dispenser
- Very large roll size (800 sheets) and dispenser holds 2 rolls
- Suitable for high traffic areas
- Controlled dispensing, and self presenting sheets reduce consumption and improve hygiene
- All Katrin toilet papers are made from high quality fibers and have been proven, via dissolving tests, to break down within 90 seconds
- Certified under the Nordic Swan Eco Label




 ISO9001 ISO14001

Product / Consumer pack

| | | | | | |
|--|---------------------------------|---|----------------------------|---|-------------------------|
|  | x 135 mm y 99 mm z 135 mm |  | White |  | 0.3 kg |
|  | x 120 mm y 99 mm |  | 2 |  | 2 x 15 g/m ² |
| | |  | Ø 135 y 99 mm x 96 m |  | 800 |
| | |  | Ø 45 mm |  | 6414301066957 |

Transport pack

| | | | | | |
|---|----------------------------------|---|----|---|---------------|
|  | x 410 mm y 418 mm z 410 mm |  | 0 |  | 11.62 kg |
| | |  | 36 |  | 6414301066940 |

Transport pallet

| | | | | | |
|---|------------------------------------|---|----|---|------------|
|  | x 800 mm y 2240 mm z 1200 mm |  | 30 |  | 374.025 kg |
|---|------------------------------------|---|----|---|------------|

Related products



90144
**Katrin Inclusive
System Toilet
Dispenser With
Core Catcher -
White**



92049
**Katrin Inclusive
System Toilet
Dispenser With
Core Catcher -
Black**



104582
**Katrin Inclusive
System Toilet
Dispenser - White**



104605
**Katrin Inclusive
System Toilet
Dispenser - Black**